



SD Serie

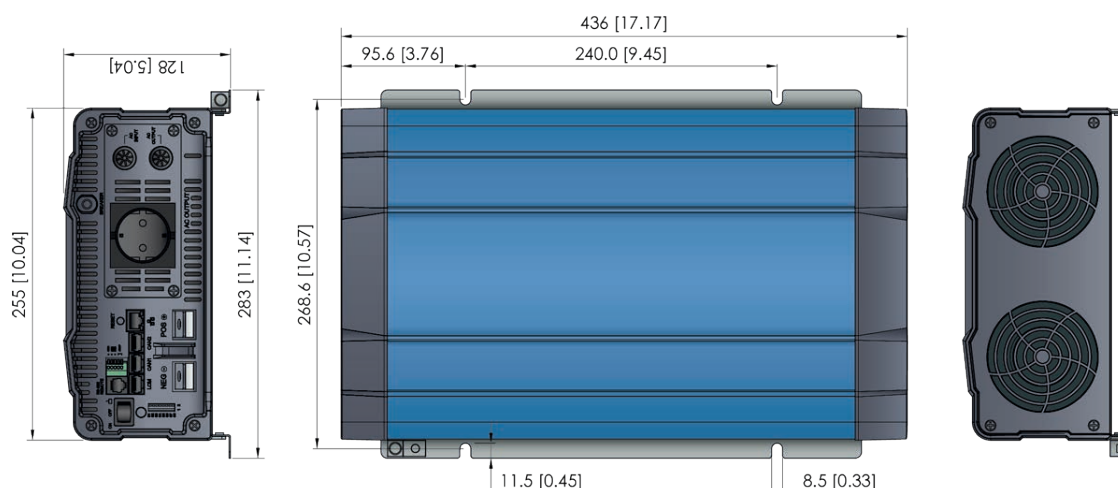


Pure Sine Wave Inverter - scalable 1500 / 2500 / 3500 x 15

TRUSTEC-Pure Sine Wave Inverter **"with reliable network switching"**
safe technology from 1500 to 3500 W

Features:

- Parallel connection of up to 15 SD devices for power expansion (52kW AC power)
- Integrated transfer circuit for synchronous mains switching with 4ms switching time
- 3-phase three-phase current with parallel connection from 3 SD devices
- Thanks to N + X parallel design, significant performance increases, up to 30% weight and volume reduction
- Designed for use in harsh environments (Working temperature -20°~+ 60°)
- Meets safety and EMC requirements
- High-Tech - robust - low-cost
- Ideal combination with COTEK CX-Chargers (15~80A/ 12-24 V)



Specifications are subject to change without notice. No liability is accepted for possible printing, translation or transmission errors.

SD Serie



Model		SD1500			SD2500			SD3500		
Type		212	224	248	212	224	248	212	224	248
Output	Rating Power	1500 W			2500 W			3500 W		
	Peak Power/Surge Power	max.3 sec 1800 W / < 0,2sec 2400 W			max.3 sec 3000 W / < 0,2sec 4000 W			max. 3 sec 4500 W / < 0,2sec. 6000 W		
	Waveform	Pure Sine Wave								
	Efficiency (Max.)	88%	88%	90%	88,00%	88,00%	90,00%	90,00%	91,00%	91,00%
	Output voltage (@rated VDC)	200/ 220/ 230/ 240 VAC ± 3%								
	Output Frequency	50/ 60Hz ± 0.1%								
	Total Harmonic Distortion (THD)	< 3% (at rated VDC and linear load)								
DC Input	DC Voltage	12 VDC	24 VDC	48 VDC	12 VDC	24 VDC	48 VDC	12 VDC	24 VDC	48 VDC
	Voltage Range	10.0~16.0 VDC	20.0~32.0 VDC	40.0~64.0 VDC	10.0~16.0 VDC	20.0~32.0 VDC	40.0~64.0 VDC	10.0~16.0 VDC	20.0~32.0 VDC	40.0~64.0 VDC
	On mode @ Save mode	1.1 A	0.7 A	0.4 A	1.1 A	0.7 A	0.4 A	1.4 A	0.5 A	0.5 A
	On mode @ No load mode	< 3.3 A	< 1.6 A	< 0.8 A	< 3.6 A	< 1.8 A	< 1.0 A	< 2.5 A	< 1.35 A	< 0.75 A
AC-Input	AC Range	200 / 220 / 230 / 240 VAC +/- 12,5%			200 / 220 / 230 / 240 VAC +/- 25 % recover +/- 12,5%					
	Frequency selectable	50 / 60 HZ								
	Synchronous Frequency	47 - 57 / 53 - 63 Hz								
	Circuit Breaker	10 A			20 A					
	Transfer Switch	Standard ATS: Inverter to utility AC : <5ms; Utility AC to inverter <10ms			Standard ATS: Inverter to utility AC : 8-10 ms; Utility AC to inverter: 16 - 50 ms					
Protection	BAT. Low Alarm	10.5 VDC	21.0 VDC	42.0 VDC	10.5 VDC	21.0 VDC	42.0 VDC	10.5 VDC	21.0 VDC	42.0 VDC
	BAT. Low Shut-down	10.0 VDC	20.0 VDC	40.0 VDC	10.0 VDC	20.0 VDC	40.0 VDC	10.0 VDC	20.0 VDC	40.0 VDC
	BAT. Low Restart	12.5 VDC	25.0 VDC	50.0 VDC	12.5 VDC	25.0 VDC	50.0 VDC	12.5 VDC	25.0 VDC	50.0 VDC
	BAT. High Alarm	15.5 VDC	31.0 VDC	62.0 VDC	15.5 VDC	31.0 VDC	62.0 VDC	15.5 VDC	31.0 VDC	62.0 VDC
	BAT. High Shut-down	16.0 VDC	32.0 VDC	64.0 VDC	16.0 VDC	32.0 VDC	64.0 VDC	16.0 VDC	32.0 VDC	64.0 VDC
	BAT. High Restart	15.0 VDC	30.0 VDC	60.0 VDC	15.0 VDC	30.0 VDC	60.0 VDC	15.0 VDC	30.0 VDC	60.0 VDC
	Input Protection	Reverse Polarity (Fuse) / Under Voltage / Over Voltage Protection / AC over current (Breaker)								
	Output Protection	Short Circuit / Overload / Over Temperature / Over Voltage								
Environment	Working Temp.	-20°C ~ +60°C								
	Storage Temp.	-40°C ~ +70°C								
	Relative Humidity	Max. 90% non-condensing								
Safety & EMC	Safety Standards	Meet EN 60950-1			Certified EN 60950-1					
	EMC Standards	Meet EN 55014-1, EN 55014-2, EN61000-3-2, 3-3, EN61204-3 (EN 55014-1, EN 55014-2 Class B: output cable less than 2meters)			certified EN 55014-1, EN55014-2 Class B: output cable less than 2m, EN 61000-3-2, 3-3, IEC 61000-4-2, 3, 4, 5, 6, 11			Zertifiziert EN 55014-1, EN55014-2 Class B: output cable less than 2m, EN 61000-3-2, 3-3, EN 61204-3, EN61000-6-1, 6-2, 6-3, 6-4, IEC 61000-4-2, 3, 4, 5, 6, 11		
Control & Signal	LED Indicator	Input voltage level, faulty status			Input voltage level, Output voltage level, faulty status					
	Remote Control	CR-6, CR-8 and CR-10								
Others	Dimensions (W x H x D)	283 x 128 x 351 mm			283.1 x 128.4 x 436 mm			283.1 x 128.4 x 496 mm		
	Weight	5,5 kg			8 kg			10 kg		
	Cooling	Last- und Temperaturgesteuerter Lüfter								
	Communication Port	RS-232 (RJ-11 type connector), Ethernet (optional)								
	Scope of application	Commercial professional applications, vehicles, buses, yachts, mobile photovoltaic offgrid systems								

Specifications are subject to change without notice. No liability is accepted for possible printing, translation or transmission errors.